

IR4426/IR4427/IR4428(S)&(PbF)

DUAL LOW SIDE DRIVER

Features

- Gate drive supply range from 6 to 20V
- CMOS Schmitt-triggered inputs
- Matched propagation delay for both channels
- Outputs out of phase with inputs (IR4426)
- Outputs in phase with inputs (IR4427)
- OutputA out of phase with inputA and OutputB in phase with inputB (IR4428)
- Also available LEAD-FREE

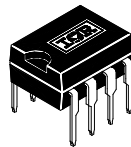
Descriptions

The IR4426/IR4427/IR4428 (S) is a low voltage, high speed power MOSFET and IGBT driver. Proprietary latch immune CMOS technologies enable ruggedized monolithic construction. Logic inputs are compatible with standard CMOS or LSTTL outputs. The output drivers feature a high pulse current buffer stage designed for minimum driver cross-conduction. Propagation delays between two channels are matched.

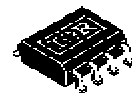
Product Summary

| | |
|---------------------|-------------|
| $I_{O+/-}$ | 1.5A / 1.5A |
| V_{OUT} | 6V - 20V |
| $t_{on/off}$ (typ.) | 85 & 65 ns |

Packages

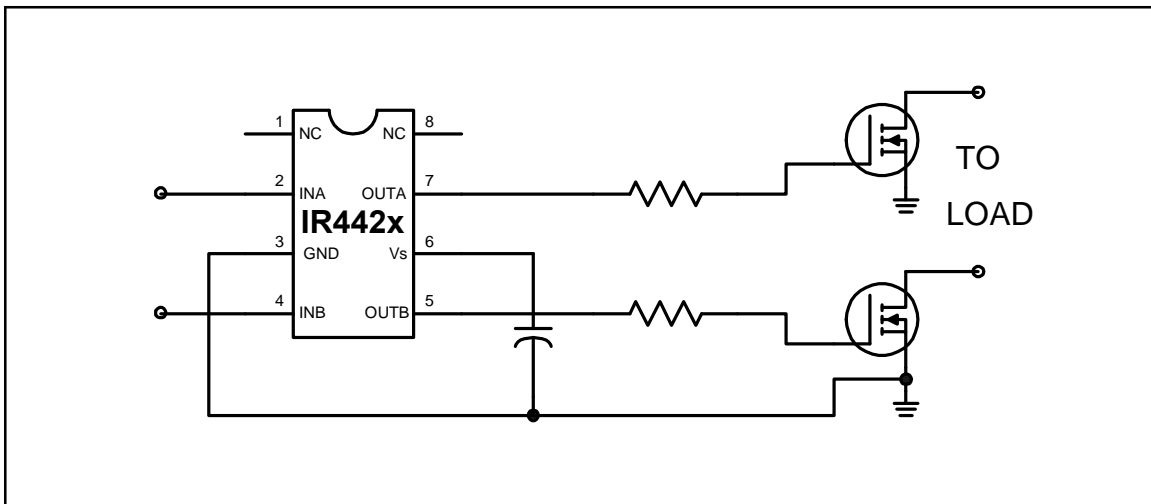


8 Lead PDIP



8 Lead SOIC

Typical Connection



IR4426/IR4427/IR4428(S) & (PbF)

ADVANCE INFORMATION

International
IOR Rectifier

Absolute Maximum Ratings

Absolute maximum ratings indicate sustained limits beyond which damage to the device may occur. All voltage parameters are absolute voltages referenced to GND. The thermal resistance and power dissipation ratings are measured under board mounted and still air conditions.

| Symbol | Definition | Min. | Max. | Units | |
|-------------------|--|---------------|----------------------|-------|------|
| V _S | Fixed supply voltage | -0.3 | 25 | V | |
| V _O | Output voltage | -0.3 | V _S + 0.3 | | |
| V _{IN} | Logic input voltage | -0.3 | V _S + 0.3 | | |
| P _D | Package power dissipation @ T _A ≤ +25°C | (8 Lead PDIP) | — | 1.0 | W |
| | | (8 lead SOIC) | — | 0.625 | |
| R _{thJA} | Thermal resistance, junction to ambient | (8 lead PDIP) | — | 125 | °C/W |
| | | (8 lead SOIC) | — | 200 | |
| T _J | Junction temperature | — | 150 | °C | |
| T _S | Storage temperature | -55 | 150 | | |
| T _L | Lead temperature (soldering, 10 seconds) | — | 300 | | |

Recommended Operating Conditions

The input/output logic timing diagram is shown in figure 1. For proper operation the device should be used within the recommended conditions. All voltage parameters are absolute voltages referenced to GND.

| Symbol | Definition | Min. | Max. | Units |
|-----------------|----------------------|------|----------------|-------|
| V _S | Fixed supply voltage | 6 | 20 | V |
| V _O | Output voltage | 0 | V _S | |
| V _{IN} | Logic input voltage | 0 | V _S | |
| T _A | Ambient temperature | -40 | 125 | °C |

DC Electrical Characteristics

V_{BIAS} (V_S) = 15V, T_A = 25°C unless otherwise specified. The V_{IN} and I_{IN} parameters are referenced to GND and are applicable to input leads: INA and INB. The V_O and I_O parameters are referenced to GND and are applicable to the output leads: OUTA and OUTB.

| Symbol | Definition | Min. | Typ. | Max. | Units | Test Conditions |
|-----------------|--|------|------|------|-------|-----------------|
| V _{IH} | Logic "0" input voltage (OUTA=LO, OUTB=LO) (IR4426) | 2.7 | — | — | V | |
| | Logic "1" input voltage (OUTA=HI, OUTB=HI) (IR4427) | | | | | |
| | Logic "0" input voltage (OUTA=LO), Logic "1" input voltage (OUTB=HI) (IR4428) | | | | | |

ADVANCE INFORMATION

DC Electrical Characteristics cont.

$V_{BIAS} (V_S) = 15V$, $T_A = 25^\circ C$ unless otherwise specified. The V_{IN} , and I_{IN} parameters are referenced to GND and are applicable to input leads: INA and INB. The V_O and I_O parameters are referenced to GND and are applicable to the output leads: OUTA and OUTB.

| Symbol | Definition | Min. | Typ. | Max. | Units | Test Conditions |
|-----------|---|------|------|------|---------|--|
| V_{IL} | Logic "1" input voltage (OUTA=HI, OUTB=HI) (IR4426) Logic "0" input voltage (OUTA=LO, OUTB=LO) (IR4427) Logic "1" input voltage (OUTA=HI), Logic "0" input voltage (OUTB=LO) (IR4428) | — | — | 0.8 | V | |
| V_{OH} | High level output voltage, $V_{BIAS}-V_O$ | — | — | 1.2 | | $I_o = 0mA$ |
| V_{OL} | Low level output voltage, V_O | — | — | 0.1 | | $I_o = 0mA$ |
| I_{IN+} | Logic "1" input bias current (OUT=HI) | — | 5 | 15 | μA | $V_{IN} = 0V$ (IR4426) $V_{IN} = V_S$ (IR4427) $V_{INA} = 0V$ (IR4428) $V_{INB} = V_S$ (IR4428) |
| I_{IN-} | Logic "0" input bias current (OUT=LO) | — | -10 | -30 | | $V_{IN} = V_S$ (IR4426) $V_{IN} = 0V$ (IR4427) $V_{INA} = V_S$ (IR4428) $V_{INB} = 0V$ (IR4428) |
| I_{QS} | Quiescent V_S supply current | — | 100 | 200 | | $V_{IN} = 0V$ or V_S |
| I_{O+} | Output high short circuit pulsed current | 1.5 | 2.3 | — | A | $V_O = 0V$, $V_{IN} = 0$ (IR4426) $V_O = 0V$, $V_{IN} = V_S$ (IR4427) $V_O = 0V$, $V_{INA} = 0$ (IR4428) $V_O = 0V$, $V_{INB} = V_S$ (IR4428) $PW \leq 10 \mu s$ |
| I_{O-} | Output low short circuit pulsed current | 1.5 | 3.3 | — | | $V_O = 15V$, $V_{IN} = V_S$ (IR4426) $V_O = 15V$, $V_{IN} = 0$ (IR4427) $V_O = 15V$, $V_{INA} = V_S$ (IR4428) $V_O = 15V$, $V_{INB} = 0$ (IR4428) $PW \leq 10 \mu s$ |

IR4426/IR4427/IR4428(S) & (PbF)

ADVANCE INFORMATION

International
IR Rectifier

AC Electrical Characteristics

$V_{BIAS} (V_S) = 15V$, $C_L = 1000pF$, $T_A = 25^\circ C$ unless otherwise specified.

| Symbol | Definition | Min. | Typ. | Max. | Units | Test Conditions |
|--|----------------------------|------|------|------|-------|-----------------|
| Propagation delay characteristics | | | | | | |
| t_{d1} | Turn-on propagation delay | — | 85 | 160 | ns | figure 4 |
| t_{d2} | Turn-off propagation delay | — | 65 | 150 | | |
| t_r | Turn-on rise time | — | 15 | 35 | | |
| t_f | Turn-off fall time | — | 10 | 25 | | |

Functional Block Diagram IR4426



ADVANCE INFORMATION

Functional Block Diagram IR4427



IR4426/IR4427/IR4428(S) & (PbF)

ADVANCE INFORMATION

International
IR Rectifier

Functional Block Diagram IR4428



Lead Definitions

| Symbol | Description |
|----------------|---|
| V _S | Supply voltage |
| GND | Ground |
| INA | Logic input for gate driver output (OUTA), out of phase (IR4426, IR4428), in phase (IR4427) |
| INB | Logic input for gate driver output (OUTB), out of phase (IR4426), in phase (IR4427, IR4428) |
| OUTA | Gate drive output A |
| OUTB | Gate drive output B |

IR4426/IR4427/IR4428(S) & (PbF)

ADVANCE INFORMATION

Lead Assignments

| | | |
|--------------------|--------------------|--------------------|
| <p>8 Lead PDIP</p> | <p>8 Lead PDIP</p> | <p>8 Lead PDIP</p> |
| IR4426 | IR4427 | IR4428 |
| Part Number | | |

Lead Assignments

| | | |
|--------------------|--------------------|--------------------|
| <p>8 Lead SOIC</p> | <p>8 Lead SOIC</p> | <p>8 Lead SOIC</p> |
| IR4426S | IR4427S | IR4428S |
| Part Number | | |

IR4426/IR4427/IR4428(S) & (PbF)

ADVANCE INFORMATION

International
IR Rectifier



Figure 3. Timing Diagram



Figure 4. Switching Time Waveforms

IR4426/IR4427/IR4428(S) & (PbF)

ADVANCE INFORMATION



Figure 5. Switching Time Test Circuits

IR4426/IR4427/IR4428(S) & (PbF)

ADVANCE INFORMATION

International
IR Rectifier

Caseoutline



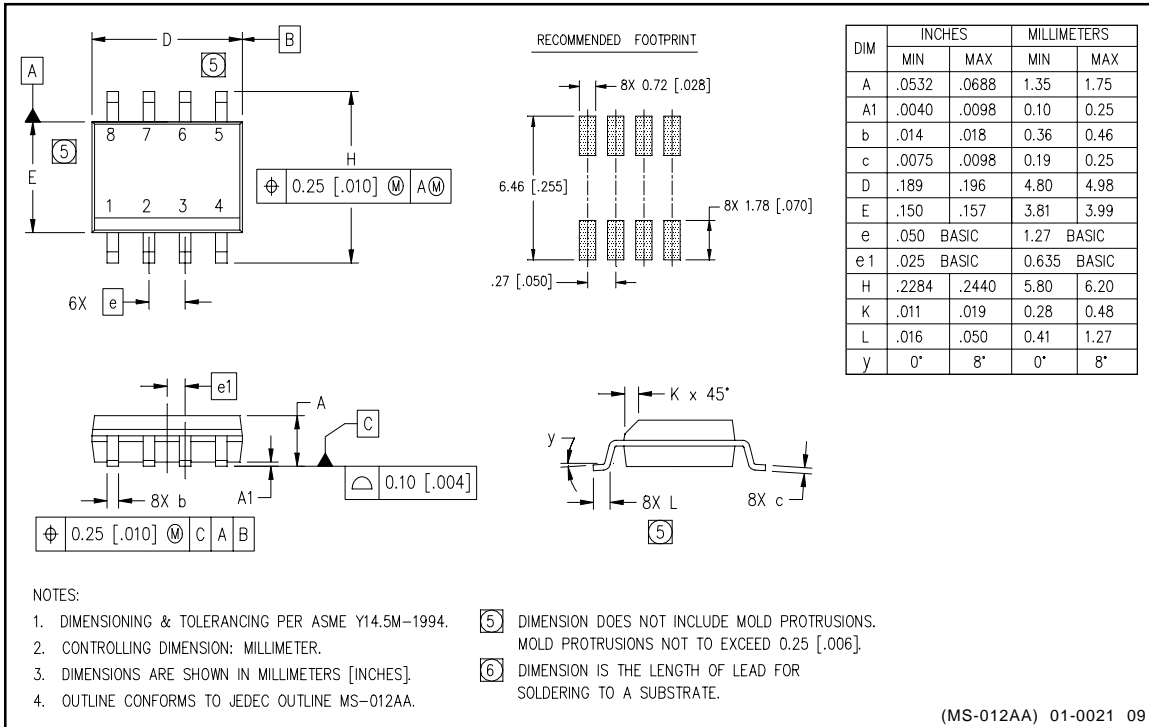
Tape & Reel



IR4426/IR4427/IR4428(S) & (PbF)

ADVANCE INFORMATION

Case Outline - 8 Lead SOIC



IR4426/IR4427/IR4428(S)&(PbF)

ADVANCE INFORMATION

International
IR Rectifier

LEADFREE PART MARKING INFORMATION



ORDER INFORMATION

Basic Part (Non-Lead Free)

8-Lead PDIP IR4426 order IR4426
8-Lead SOIC IR4426S order IR4426S
8-Lead PDIP IR4427 order IR4427
8-Lead SOIC IR4427S order IR4427S
8-Lead PDIP IR4428 order IR4428
8-Lead SOIC IR4428S order IR4428S

Leadfree Part

8-Lead PDIP IR4426 order IR4426PbF
8-Lead SOIC IR4426S order IR4426SPbF
8-Lead PDIP IR4427 order IR4427PbF
8-Lead SOIC IR4427S order IR4427SPbF
8-Lead PDIP IR4428 order IR4428PbF
8-Lead SOIC IR4428S order IR4428SPbF

International
IR Rectifier

IR WORLD HEADQUARTERS: 233 Kansas St., El Segundo, California 90245 Tel: (310) 252-7105

This product has been qualified per industrial level
Data and specifications subject to change without notice. 3/3/2008